

# PLATE MOUNTED AXIAL FLOW FANS

## HIB-NP / HIT-NP Series



Range of belt driven axial flow fans designed to move large volumes of air at low system pressure. The casings are manufactured from galvanised sheet steel and incorporate an electro-welded steel mesh protection guard mounted on the inlet.

All standard models are fitted with an automatic louvre shutter on the outlet side of the fan (Type - NP).

All impellers are manufactured from galvanised sheet steel.

### Motors

All motors are IP55 Class F insulation (1)

Electrical supplies:

Single phase 230V-50Hz.

Three phase 230/400V-50Hz.

(1) Class F: working temperatures up to 40°C

### On request

The units can be supplied without automatic louvre shutter and replaced with a steel mesh guard on the discharge (Type -N).

### APPLICATIONS



Warehouses



Greenhouses



Agricultural extract or supply applications



Sport centers



Commercial or industrial drying rooms

**Compact design**



Robust casings manufactured from **galvanised steel sheet**

**Automatic louvre shutter on the outlet side (Type- NP)**



Multi-bladed shutter automatically **opens and closes** when the fan is switched on and off

**Protection guard on the inlet side**



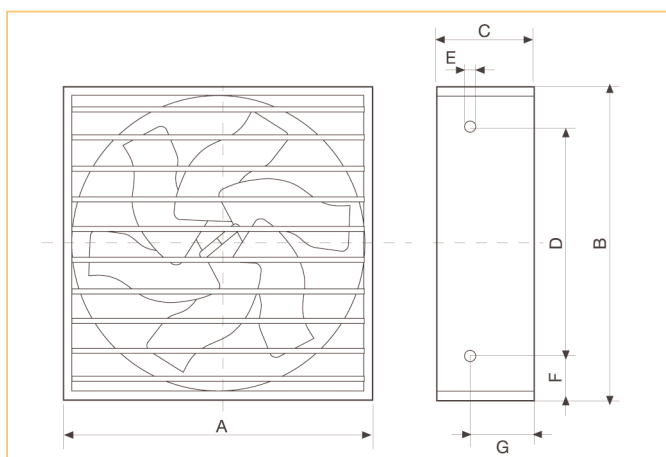
Electro-welded steel mesh protection guard mounted on the inlet

## Technical characteristics

Before making any electrical connection ensure that the voltage and frequency of the mains electrical supply matches that of the fan data plate label.

SINGLE PHASE Model	THREE PHASE Model	Motor power (kW)	Motor speed (r.p.m.)	Impeller speed (r.p.m.)	Maximum air volume (m <sup>3</sup> /h)	Sound pressure level (dB(A))	Weight (kg)
HIB-800 NP (0,37)	HIT-800 NP (0,37)	0,37	2800	575	13500	70	48
HIB-800 NP (0,55)	HIT-800NP (0,55)	0,55	2800	620	15700	72	50
HIB-1000 NP (0,37)	HIT-1000 NP (0,37)	0,37	1400	410	16900	63	60
HIB-1000 NP (0,55)	HIT-1000 NP (0,55)	0,55	1400	465	19400	66	62
HIB-1000 NP (0,75)	HIT-1000 NP (0,75)	0,75	1400	495	21200	67	65
HIB-1250 NP (0,75)	HIT-1250 NP (0,75)	0,75	1400	435	30500	66	87
HIB-1250 NP (1,1)	HIT-1250 NP (1,1)	1,1	1400	490	36000	67	90
HIB-1250 NP (1,5)	HIT-1250 NP (1,5)	1,5	1400	545	40700	68	93

## Dimensions (mm)



Model	A	B	C	D	Ø E	F	G
HIT or HIB-800	925	925	427	470	10,5	227	165
HIT or HIB-1000	1125	1125	447	685	10,5	345	205
HIT or HIB-1250	1375	1375	480	560	10,5	283	180

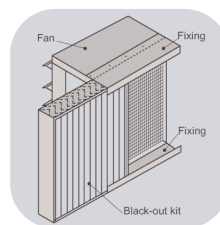
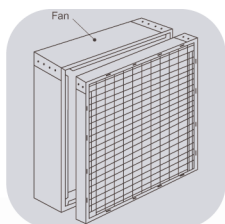
## Mounting accessories



### Safety guard kit

Electro-welded steel mesh protection guard with frame to fit at the NP type fan discharge to prevent access to the moving parts. The installations must include this accessory to comply with the European Machinery Directive if the lowest point of the fan is mounted at less than 2,5 m from the floor level.

- Safety guard kit HIT/HIB-800 NP
- Safety guard kit HIT/HIB-1000 NP
- Safety guard kit HIT/HIB-1250 NP



### Black-Out Kit

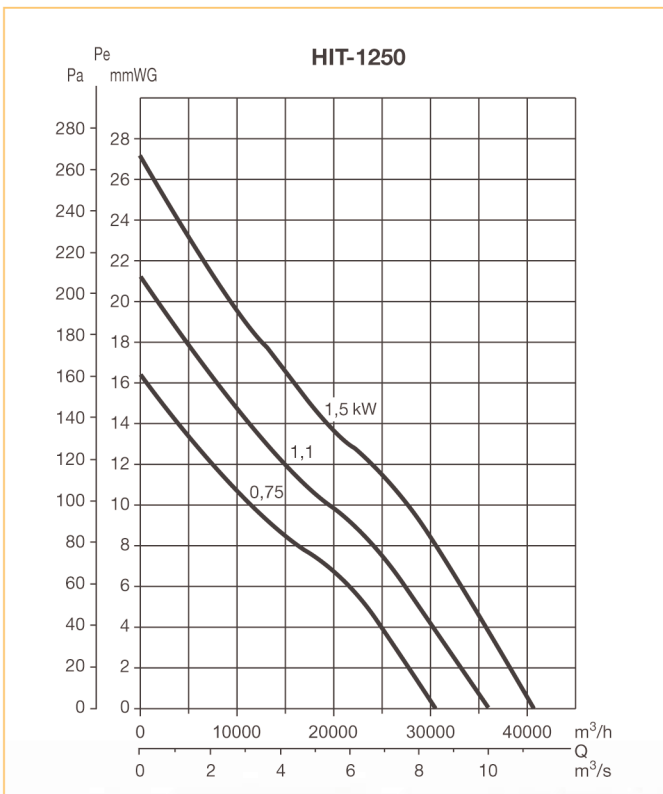
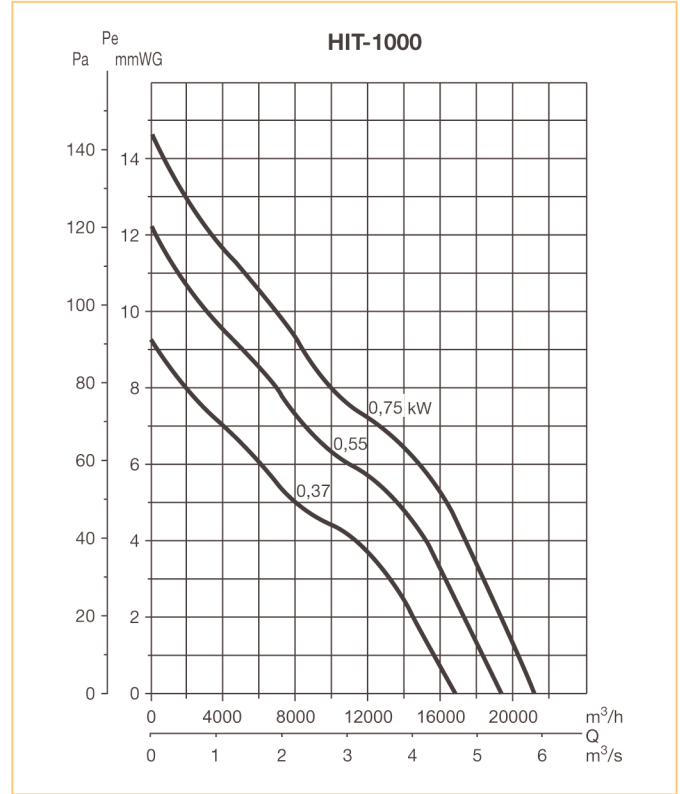
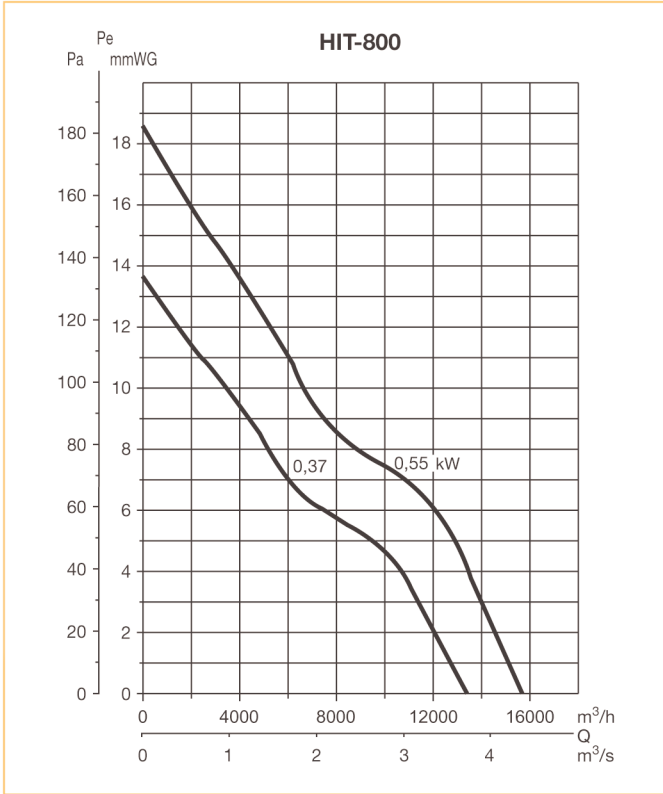
Metallic protection Panel which avoids the entry of natural light. Specially recommended for poultry ventilation applications.

- Black-Out kit HIT/HIB-800 NP
- Black-Out kit HIT/HIB-1000 NP
- Black-Out kit HIT/HIB-1250 NP

### ■ Performance curves

- Q = Air volume in, m<sup>3</sup>/hr and m<sup>3</sup>/s.
- Pe = Static pressure in mmWG and Pa.
- Dry air at 20°C and 760 mmHg.
- Air flow data in accordance with the following standards: UNE 100-212-89, BS 848, Part 1; AMCA 210-85 and ASHRAE 51-1985.

Plate Mounted Axial Flow Fans HIB-NP/HIT-NP Series



DELTA ENVIRONMENTAL Ltd