




CYLINDRICAL CASED AXIAL FLOW FANS

COMPACT Series TCBB / TCBT (aluminium impellers)



IP65⁽¹⁾

Explosion proof versions in accordance to ATEX Directive for three phase models:
 - Increase safety  EX II2G EExIIIT3 (except 2 pole motors and 250 models).
 - Flame proof only for /4-710 and 800 models,  EX II2G EExdIIBT5 or  EExdIICT4.
 Working temperatures up to 40°C.

Range of cylindrical cased axial fans fitted with aluminium impellers and manufactured from high grade rolled galvanised steel and **protected against corrosion by cataforesis primer and black polyester paint finish.**

All models are supplied with pre-wired wiring junction box located on the outside of the fan casing for easy wiring access.

Available, depending upon the model, with single or three phase motors in 2, 4, 6 or 8 poles.

Motors

All the motors are **IP65⁽¹⁾**, **Class F** insulation ⁽²⁾, equipped with thermal protection.

All motors are speed controllable except 2 poles and /4-560, /4-630, /4-710 and 800 models.

Electrical supplies:

Single phase 230V-50Hz. (Capacitor located inside the wiring terminal box).

Three phase 230/400V-50Hz or 400V-50Hz (See characteristic chart).

(1) 2/315/H, 2/355/H, /4-710 and 800 models are IP55.

(2) Working temperatures from -40°C up to 70°C (except /2-315/H, /2-355/H, /4-710 and 800 models: suitable for usage in environments up to +40°C).

Additional Information

Standard air direction: form (B) configuration (Impeller over Motor); form (A) configuration (Motor over Impeller) for /2-315/L, /2-315/G, /2-355/J and /2-355/I models.

On request

Air direction: form (A) configuration (Motor over Impeller).

Three phase motors suitable for inverter control (E22 version).

Two speed motors (4/8 poles).

Cylindrical Cased Flow Fans TCBB/TCBT (aluminium impellers)

APPLICATIONS



Warehouses



Workshops



Commercial premises



Car parks

Corrosion resistance



Rolled steel casings and motor support **protected by cataforesis primer and black polyester paint finish.**

Stainless steel screws

Terminal box



Wiring terminal box with cable gland PG-11

Impeller dynamically balanced



Impellers are **dynamically balanced**, according to ISO 1940 standard, giving vibration free operation

Configuration for /4-710 and 800 models



DELTA ENVIRONMENTAL Ltd

CYLINDRICAL CASED AXIAL FLOW FANS

COMPACT series TCFB / TCFT (plastic impellers)



IP65

Range of cylindrical cased axial fans fitted with plastic impellers and manufactured from high grade rolled galvanised steel and **protected against corrosion by cataforesis primer and black polyester paint finish.**

All models are supplied with pre-wired wiring junction box located on the outside of the fan casing for easy wiring access.

Available, depending upon the model, with single or three phase motors in 2, 4, 6 or 8 poles.

Motors

All the motors are **IP65** (1), **Class F** insulation (2), equipped with **thermal protection.**

All motors are speed controllable except 2 poles and /4-560 and /4-630 models.

Electrical supplies:

Single phase 230V-50Hz. (Capacitor located inside the wiring terminal box).

Three phase 230/400V-50Hz or 400V-50Hz (See characteristic chart).

(1) Working temperatures from -40°C up to 70°C (except /2-315/H, /2-355/H).

Additional Information

Standard air direction: form (B) configuration (Impeller over Motor).

On request

Air direction: form (A) configuration (Motor over Impeller).

Three phase motors suitable for inverter control (E22 version).

Cylindrical Cased Flow Fans TCFB/TCFT (plastic impellers)

APPLICATIONS



Corrosion resistance



Rollled steel casings and motor support **protected by cataforesis primer and black polyester paint finish.**
Stainless steel screws

Terminal box



Wiring terminal box with cable gland PG-11

Impeller dynamically balanced



Impellers are **dynamically balanced**, according to ISO 1940 standard, giving vibration free operation

DELTA ENVIRONMENTAL Ltd






Reference



- 1 - **T**: Compact Plate Axial Fan
- 2 - **C**: Series designation
- 3 - Impeller Type:
 - F**: Ø 250-Ø 630 Fixed blade plastic impeller
 - B**: Ø 250-Ø 400 Fixed blade aluminium impeller
Ø 450-Ø 800 Adjustable blade aluminium impeller
- 4 - Type of supply:
 - B**: Single phase
 - T**: Three phase
- 5 - Number of poles:
 - 2**: (approx. 2800 r.p.m. - 50 Hz)
 - 4**: (approx. 1400 r.p.m. - 50 Hz)
 - 6**: (approx. 900 r.p.m. - 50 Hz)
 - 8**: (approx. 700 r.p.m. - 50 Hz)
- 6 - : Nominal Diameter of Fan. (mm).
- 7 - : Pitch Angle
- 8 - Direction of Air:
 - A**: Motor over Impeller
 - B**: Impeller over Motor
- 9 - Voltage:
 - 230 V (Single Phase)
 - 230/400 V (Three Phase)
 - 400 V (Three Phase)
- 10 - Frequency of Service: 50 Hz
60 Hz
- 11 - Special versions:
 - 2 V**: Two Speed Motors
4/8 poles of motor for models from Ø 450 up to Ø 800 mm.
6/12 poles of motor for models from Ø 710 up to Ø 800 mm.
 - C**: Condensation drain holes on motor.
 - EX**: Explosion proof and flame proof versions.

Supply voltages and frequencies



Mains supply voltage	Motor type	Connection	Speed
SINGLE PHASE 220V 50Hz, 240V 50Hz	230V 50Hz	See wiring diagram	High
THREE PHASE 220V 50Hz 240V 50Hz	230/400V 50Hz		High
			Low*
THREE PHASE 380V 50Hz 415V 50Hz	230/400V 50Hz		High
	400V 50Hz		High
			Low*

* From sizes 450 up to 630/L diameter.

Acoustic characteristics

The sound levels -NPS- shown in the technical characteristic chart, correspond to the value of sound pressure dB(A), measured in free field conditions at a distance equivalent to three times the diameter of the impeller with a minimum of 1.5 meters. Sound power level spectrum in dB(A) at the corresponding octave band average frequencies in Hz.

LwA ASP QMAX	63	125	250	500	1000	2000	4000	8000
2-250/H	50	61	68	73	74	74	67	58
2-315/H	51	62	82	77	85	85	79	71
2-355/H	58	63	87	83	89	92	86	79

LwA ASP QMAX	63	125	250	500	1000	2000	4000	8000
4-250/H	44	50	57	58	60	59	53	42
4-315/H	37	47	57	61	66	63	57	48
4-355/H	39	59	56	65	70	66	61	52
4-400/H	41	62	58	67	74	70	66	43
4-450/H	41	57	60	69	73	71	65	55
4-500/H	44	61	64	73	76	75	68	59
4-560/L	44	60	66	75	78	76	71	62
4-560/H	46	61	67	76	80	78	72	64
4-630/L	46	60	69	78	82	80	75	67
4-630/H	47	61	70	79	83	81	76	68
4-710/L	52	72	79	84	86	83	78	70
4-710/H	56	76	83	88	90	86	81	74
4-800/L	64	81	92	95	96	90	83	74
4-800/K	67	83	94	98	98	92	85	76
4-800/G	69	85	96	99	100	94	87	78
4-800/H	71	87	99	102	102	97	90	81

LwA ASP QMAX	63	125	250	500	1000	2000	4000	8000
6-355/H	39	45	46	52	53	54	48	37
6-400/H	34	46	49	59	60	60	53	41
6-450/H	32	48	52	60	64	62	56	47
6-500/H	36	52	55	64	68	66	60	50
6-560/L	36	51	57	66	70	68	62	54
6-560/H	38	53	59	68	72	70	64	56
6-630/L	37	51	60	69	73	71	65	58
6-630/H	39	53	62	71	75	72	67	60
6-710/L	45	66	72	78	79	76	71	64
6-710/H	48	68	75	81	82	79	74	67
6-800/L	58	74	86	89	89	84	77	68
6-800/K	60	76	88	91	91	85	78	69
6-800/G	61	77	88	92	92	86	79	70
6-800/H	62	79	90	93	94	88	81	72

LwA ASP QMAX	63	125	250	500	1000	2000	4000	8000
8-450/H	38	41	47	52	58	55	47	37
8-500/H	41	43	50	55	61	58	49	39
8-560/H	44	47	53	58	64	61	53	43
8-630/H	43	49	59	67	71	67	58	50
8-710/H	42	62	69	74	76	72	67	60
8-800/L	54	70	81	85	85	79	72	63
8-800/K	54	71	82	85	86	80	73	64
8-800/G	55	72	83	86	86	81	74	65
8-800/H	56	72	84	87	87	82	75	66

■ Technical characteristics for models with ALUMINIUM impellers

Before installation check that the product electrical characteristics listed on the data plate label (Voltage, power, frequency etc) match those of the intended electrical supply. Explosion proof types only work at an ambient temperature between -30°C and +40°C.

Model	Speed (r.p.m.)	Maximum power absorbed (W)	Maximum current (A)		Sound pressure level (dB(A))	Maximum air volume (m ³ /h)	Weight (kg)	Speed* controller
			at 230 V	at 400 V				
SINGLE PHASE 2 POLES								
TCBB/2-250/H	2500	240	1,2	-	65	2210	8,0	-
TCBB/2-315/H	2550	380	3,5	-	75	4800	12,0	-
TCBB/2-315/L-A	2500	380	1,7	-	70	3260	11,0	-
TCBB/2-355/H	2500	1200	5,4	-	81	7000	15,0	-
TCBB/2-355/J-A	2000	460	2,1	-	71	4000	13,2	-
SINGLE PHASE 4 POLES								
TCBB/4-250/H	1330	60	0,3	-	52	1250	8,0	REB-1
TCBB/4-315/H	1300	100	0,6	-	54	2340	11,0	REB-1
TCBB/4-355/H	1225	200	1,0	-	58	3470	13,2	REB-2,5
TCBB/4-400/H	1200	340	1,6	-	60	5100	15,5	REB-2,5
TCBB/4-450/H	1370	620	2,7	-	62	7100	21,0	REB-5
TCBB/4-500/H	1300	800	3,5	-	66	9710	25,0	REB-5
TCBB/4-560/L	1300	1240	5,8	-	67	11750	33,0	RMB-8
TCBB/4-560/H	1340	1680	7,7	-	69	13780	34,7	-
TCBB/4-630/L	1280	1800	8,4	-	70	16100	40,0	-
SINGLE PHASE 6 POLES								
TCBB/6-355/H	800	90	0,5	-	50	2220	13,2	REB-1
TCBB/6-400/H	750	110	0,6	-	52	3240	15,5	REB-1
TCBB/6-450/H	890	240	1,2	-	53	4590	20,7	REB-2,5
TCBB/6-500/H	890	310	1,7	-	57	6100	24,8	REB-2,5
TCBB/6-560/L	900	420	2,4	-	58	7400	33,0	REB-5
TCBB/6-560/H	900	550	2,8	-	60	8680	33,5	REB-5
TCBB/6-630/L	860	640	3,1	-	60	10600	38,0	REB-5
TCBB/6-630/H	930	980	5,4	-	62	13000	38,5	RMB-8
TCBB/6-710/L	900	1050	5,5	-	66	15800	46,0	-
TCBB/6-710/H	840	1300	6,5	-	69	17800	46,0	-
SINGLE PHASE 8 POLES								
TCBB/8-450/H	620	140	0,8	-	47	3450	20,7	REB-1
TCBB/8-500/H	595	175	1	-	48	4750	24,8	REB-2,5
TCBB/8-560/H	595	260	1,4	-	50	6620	33,0	REB-2,5
TCBB/8-630/H	680	440	2,1	-	57	8730	38,5	REB-2,5
TCBB/8-710/H	625	480	2,4	-	63	11000	46,0	-
THREE PHASE 2 POLES								
TCBT/2-250/H	2500	240	0,9	0,5	65	2210	8,0	-
TCBT/2-315/H	2780	770	2,1	1,2	75	4800	12,0	-
TCBT/2-315/G-A	2600	400	1,4	0,8	70	3250	11,0	-
TCBT/2-355/H	2750	1240	3,1	1,8	81	7000	15,0	-
TCBT/2-355/I-A	2380	520	1,6	0,8	71	4000	13,2	-
THREE PHASE 4 POLES								
TCBT/4-250/H	1330	60	0,3	0,2	52	1250	8,0	RMT-1,5
TCBT/4-315/H	1300	150	0,6	0,3	54	2340	11,0	RMT-1,5
TCBT/4-355/H	1260	200	0,8	0,5	58	3470	13,2	RMT-1,5
TCBT/4-400/H	1360	300	1,4	0,8	60	5100	15,5	RMT-1,5
TCBT/4-450/H	1400	630	2,7	1,6	62	7100	21,0	RMT-3,5
TCBT/4-500/H	1340	880	2,9	1,7	66	9710	25,0	RMT-3,5
TCBT/4-560/L	1320	1210	3,9	2,3	67	11750	33,0	RMT-8
TCBT/4-560/H	1370	1520	4,9	2,8	69	13780	34,7	-
TCBT/4-630/L	1330	1900	5,6	3,2	69	16100	39,0	-
TCBT/4-630/H	1360	2200	7,1	4,0	70	18200	40,0	-
TCBT/4-710/L (1,5kW)	1420	2500	8,4	4,8	73	21590	46,0	-
TCBT/4-710/H (3kW)	1450	3400	11,1	6,4	76	25500	54,0	-
TCBT/4-800/L (3kW)	1450	3700	11,2	6,5	82	29200	65,0	-
TCBT/4-800/K (4kW)	1450	5000	-	9,0	84	33300	68,0	-
TCBT/4-800/G (5,5kW)	1460	6900	-	11,6	87	38400	81,0	-
TCBT/4-800/H (7,5kW)	1460	8800	-	15,0	89	43200	89,0	-

* Three phase speed controllers (RMT) are suitable for 400V.

■ Technical characteristics for models with ALUMINIUM impellers

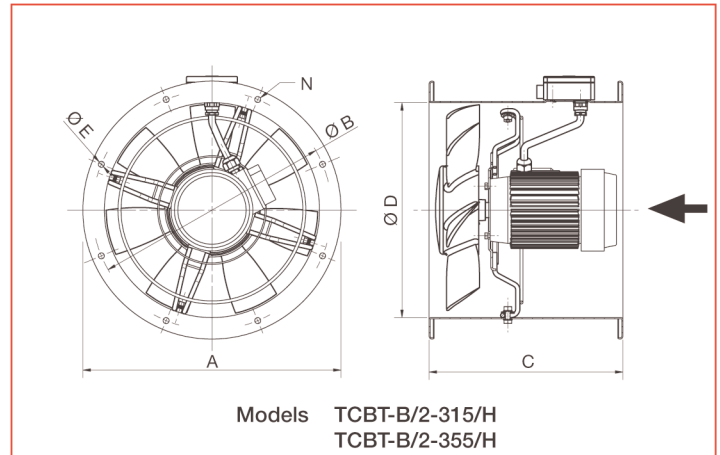
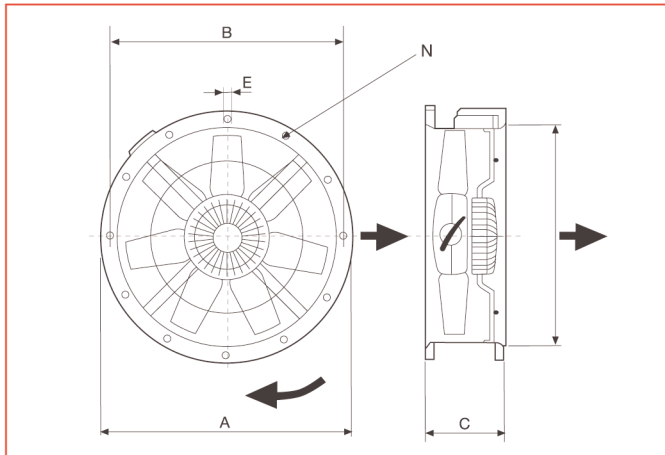
Model	Speed (r.p.m.)	Maximum power absorbed (W)	Maximum current (A)		Sound pressure level (dB(A))	Maximum air volume (m ³ /h)	Weight (kg)	Speed* controller
			a 230 V	a 400 V				
THREE PHASE 6 POLES								
TCBT/6-355/H	875	90	0,5	0,3	50	2220	13,2	RMT-1,5
TCBT/6-400/H	830	110	0,5	0,3	52	3240	15,5	RMT-1,5
TCBT/6-450/H	890	200	0,9	0,5	53	4590	20,7	RMT-1,5
TCBT/6-500/H	870	270	1,0	0,6	57	6100	24,8	RMT-1,5
TCBT/6-560/L	900	410	1,6	0,9	58	7400	33,0	RMT-3,5
TCBT/6-560/H	870	470	1,7	1,0	60	8680	33,5	RMT-3,5
TCBT/6-630/L	890	620	2,2	1,3	60	10600	38,0	RMT-3,5
TCBT/6-630/H	950	860	4,9	2,8	62	13000	38,5	RMT-8
TCBT/6-710/L	900	1080	5,7	3,3	66	15800	46,0	-
TCBT/6-710/H	910	1300	5,2	3,0	69	17800	46,0	-
TCBT/6-800/L (1,1kW)	950	1500	5,7	3,3	74	20700	57,0	-
TCBT/6-800/K (1,5kW)	965	1800	7,1	4,1	76	23100	64,0	-
TCBT/6-800/G (2,2kW)	960	2500	9,0	5,2	79	26100	68,0	-
TCBT/6-800/H (3kW)	980	2900	10,7	6,2	80	29800	80,0	-
THREE PHASE 8 POLES								
TCBT/8-450/H	655	140	0,8	0,5	47	3450	20,7	RMT-1,5
TCBT/8-500/H	615	165	1,0	0,6	50	4750	24,8	RMT-1,5
TCBT/8-560/H	595	250	1,2	0,7	52	6620	33,0	RMT-1,5
TCBT/8-630/H	680	380	1,9	1,1	57	8730	38,5	RMT-3,5
TCBT/8-710/H	620	540	2,1	1,2	63	11000	46,0	-
TCBT/8-800/L (0,37kW)	700	650	3,1	1,8	67	14000	54,0	-
TCBT/8-800/K (0,55kW)	710	870	4,3	2,5	69	16600	57,0	-
TCBT/8-800/G (0,75kW)	720	1100	4,8	2,8	72	19500	61,0	-
TCBT/8-800/H (1,1kW)	720	1340	6,2	3,6	74	22500	64,0	-

* Three phase speed controllers (RMT) are suitable for 400V.

■ Technical characteristics for models with PLASTIC impellers

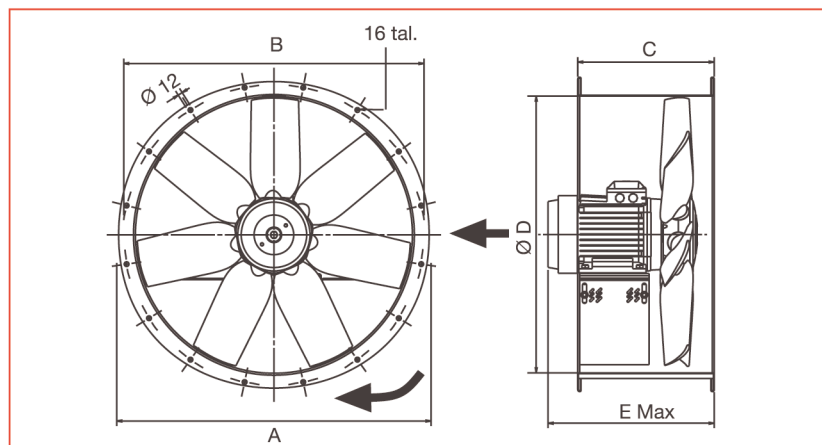
Model	Speed (r.p.m.)	Maximum power absorbed (W)	Maximum current (A)		Sound pressure level (dB(A))	Maximum air volume (m ³ /h)	Weight (kg)	Speed* controller
			a 230 V	a 400 V				
SINGLE PHASE 2 POLES								
TCFB/2-250/H	2500	250	1,2	–	65	2160	5	–
TCGB/2-315/L	2500	380	1,7	–	70	3260	11	–
TCGB/2-355/J	2000	460	2,1	–	71	4000	13,2	–
SINGLE PHASE 4 POLES								
TCFB/4-250/H	1330	60	0,3	–	52	1215	5	REB-1
TCFB/4-315/H	1300	100	0,6	–	54	2350	7	REB-1
TCFB/4-355/H	1225	200	1,0	–	58	3490	8	REB-2,5
TCFB/4-400/H	1200	340	1,6	–	60	5070	9	REB-2,5
TCFB/4-450/H	1290	480	2,3	–	65	6760	13	REB-2,5
TCFB/4-500/H	1290	650	3,0	–	68	9200	16	REB-5
TCFB/4-560/H	1250	980	4,9	–	71	12480	22	REB-5
TCFB/4-630/H	1200	1700	7,6	–	72	17060	25	–
SINGLE PHASE 6 POLES								
TCFB/6-355/H	800	90	0,5	–	50	2210	8	REB-1
TCFB/6-400/H	750	110	0,6	–	52	3400	9	REB-1
TCFB/6-450/H	835	220	1,2	–	53	4550	13	REB-2,5
TCFB/6-500/H	840	290	1,6	–	56	5820	16	REB-2,5
TCFB/6-560/H	900	420	2,4	–	59	7870	22	REB-2,5
TCFB/6-630/H	800	510	2,6	–	60	10750	25	REB-5
SINGLE PHASE 8 POLES								
TCFB/8-450/H	625	130	0,7	–	48	3500	13	REB-1
TCFB/8-500/H	605	160	0,9	–	49	4660	16	REB-1
TCFB/8-560/H	610	240	1,3	–	51	5990	22	REB-2,5
TCFB/8-630/H	585	320	1,7	–	52	8340	25	REB-2,5
THREE PHASE 2 POLES								
TCFT/2-250/H	2500	250	0,9	0,5	65	2160	5	–
TCGT/2-315/G	2600	400	1,4	0,8	70	3250	11	–
TCGT/2-355/I	2380	520	1,6	0,9	71	4000	13,2	–
THREE PHASE 4 POLES								
TCFT/4-250/H	1330	60	0,3	0,2	52	1220	5	RMT-1,5
TCFT/4-315/H	1300	150	0,6	0,3	54	2350	7	RMT-1,5
TCFT/4-355/H	1260	200	0,8	0,5	58	3490	8	RMT-1,5
TCFT/4-400/H	1350	300	1,4	0,8	60	5070	9	RMT-1,5
TCFT/4-450/H	1230	500	1,7	1,0	65	6760	13	RMT-1,5
TCFT/4-500/H	1350	660	2,7	1,6	68	9200	16	RMT-3,5
TCFT/4-560/H	1320	1210	3,9	2,3	71	12480	22	RMT-3,5
TCFT/4-630/H	1420	1550	5,2	3,0	72	17060	25	–
THREE PHASE 6 POLES								
TCFT/6-355/H	875	90	0,5	0,3	50	2210	8	RMT-1,5
TCFT/6-400/H	830	110	0,5	0,3	52	3400	9	RMT-1,5
TCFT/6-450/H	835	190	0,8	0,5	53	4550	13	RMT-1,5
TCFT/6-500/H	840	250	0,9	0,5	56	5820	16	RMT-1,5
TCFT/6-560/H	900	410	1,6	0,9	59	8260	22	RMT-1,5
TCFT/6-630/H	910	530	2,2	1,26	60	11000	25	RMT-1,5
THREE PHASE 8 POLES								
TCFT/8-450/H	660	130	0,7	0,4	51	3500	13	RMT-1,5
TCFT/8-500/H	625	150	0,7	0,4	53	4660	16	RMT-1,5
TCFT/8-560/H	610	230	1,0	0,6	55	5990	22	RMT-1,5
TCFT/8-630/H	635	310	1,3	0,8	57	8340	25	RMT-1,5

*Three phase speed controllers (RMT) are suitable for 400 V.

■ Dimensions (mm)


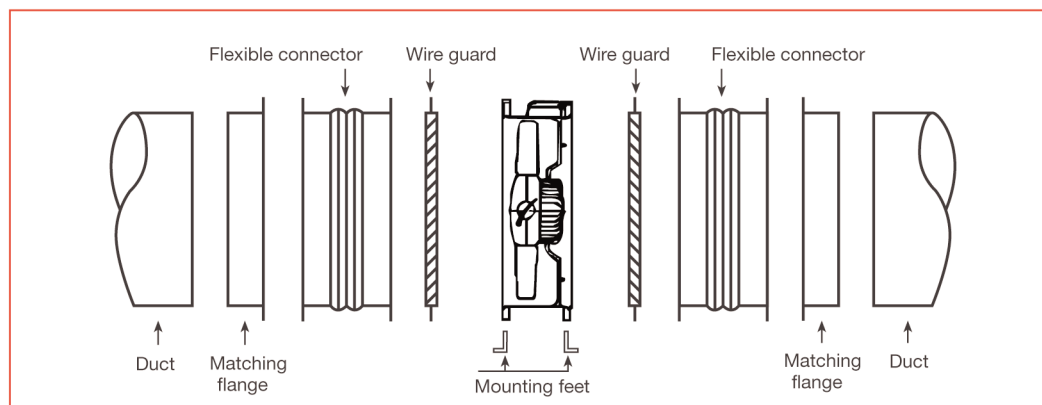
Model	Ø A	Ø B	C	Ø D	Ø E	Number of holes N
250	327	292	170	254	10	4
315	386	355	170	315	10	8
355	426	395	170	355	10	8
400	487	450	170	400	12	8
450	537	500	180	450	12	8
500	595	560	180	500	12	12
560	655	620	240	560	12	12
630	725	690	240	630	12	12
710 (6 and 8 poles)	806	770	240	710	12	16

Model	Ø A	Ø B	C	Ø D	Ø E	Number of holes N
TCBT-B/2-315/H	386	355	320	315	10	8
TCBT-B/2-355/H	426	395	320	355	10	8



Model	Ø A	B	C	Ø D	E		
					4 poles	6 poles	8 poles
710/L (4 poles)	806	770	350	710	405	–	–
710/H (4 poles)	806	770	350	710	426	–	–
800/L	896	860	350	800	419	398	398
800/K	896	860	350	800	415	419	398
800/G	896	860	350	800	471	415	419
800/H	896	860	350	800	471	415	419

■ Mounting accessories



Model	Wire guard		Matching flange	Flexible connector	Mounting feet
	Inlet (impeller side)	Discharge (motor side)			
TCBB / TCBT 250	DEF-250 T	DEF-250 T	BRIDA ACOP-250	FLEXIBLE CONNECTOR-250	FEET-250
TCBB / TCBT 315	DEF-315 T	DEF-315 T	BRIDA ACOP-315	FLEXIBLE CONNECTOR-315	FEET-315
TCBB / TCBT 355	DEF-355 T	DEF-355 T	BRIDA ACOP-355	FLEXIBLE CONNECTOR-355	FEET-355
TCBB / TCBT 400	DEF-400 T	DEF-400 T	BRIDA ACOP-400	FLEXIBLE CONNECTOR-400	FEET-400
TCBB / TCBT 450	DEF-450 T	DEF-450 T	BRIDA ACOP-450	FLEXIBLE CONNECTOR-450	FEET-450
TCBB / TCBT 500	DEF-500T	DEF-500T	BRIDA ACOP-500	FLEXIBLE CONNECTOR-500	FEET-500
TCBB / TCBT 560	DEF-560 T	DEF-560 T	BRIDA ACOP-560	FLEXIBLE CONNECTOR-560	FEET-560
TCBB / TCBT 630	DEF-630 T	DEF-630 T	BRIDA ACOP-630	FLEXIBLE CONNECTOR-630	FEET-630
TCBT 4-710/H	DEF-710 T	DEF-710/H-T DESC.	BRIDA ACOP-710	FLEXIBLE CONNECTOR-710	FEET-710
TCBT 4-710/L	DEF-710 T	DEF-710/L-T DESC.	BRIDA ACOP-710	FLEXIBLE CONNECTOR-710	FEET-710
TCBB / TCBT 6-710	DEF-710 T	DEF-710 T	BRIDA ACOP-710	FLEXIBLE CONNECTOR-710	FEET-710
TCBB / TCBT 8-710	DEF-710 T	DEF-710 T	BRIDA ACOP-710	FLEXIBLE CONNECTOR-710	FEET-710
TCBT 800	DEF-800 T	DEF.DESC.THGT-800*	BRIDA ACOP-800	FLEXIBLE CONNECTOR-800	FEET-800

* For DEF.DESC.THGT-800 outlet, see page 112.

■ Electrical accessories



REB-1N / REB-2,5N
Single phase
electronic speed
controllers



REB-5
Single phase
electronic speed
controllers



RMB/RMT
Single and three
phase auto
transformer
speed controllers

Performance curves - Series TCBB/TCBT

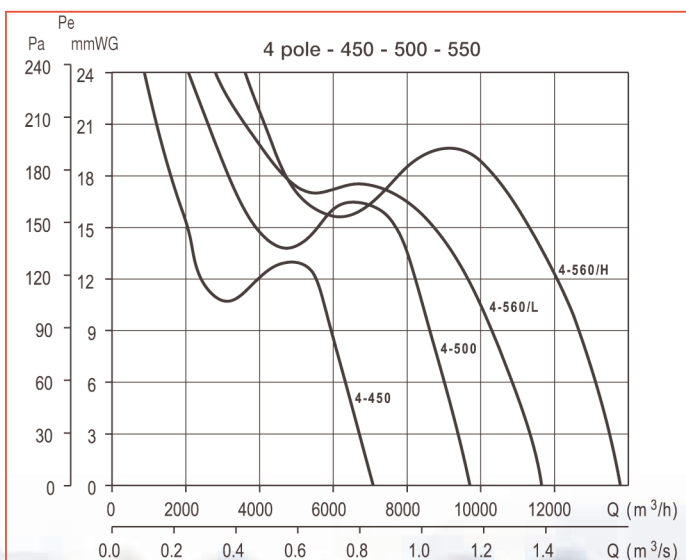
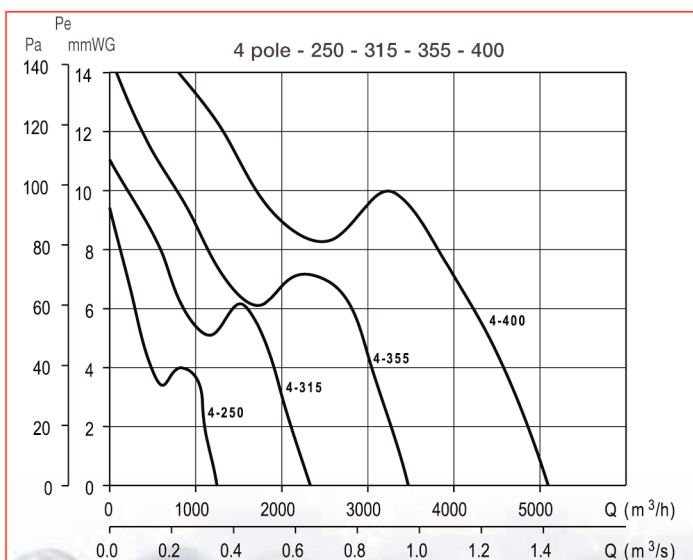
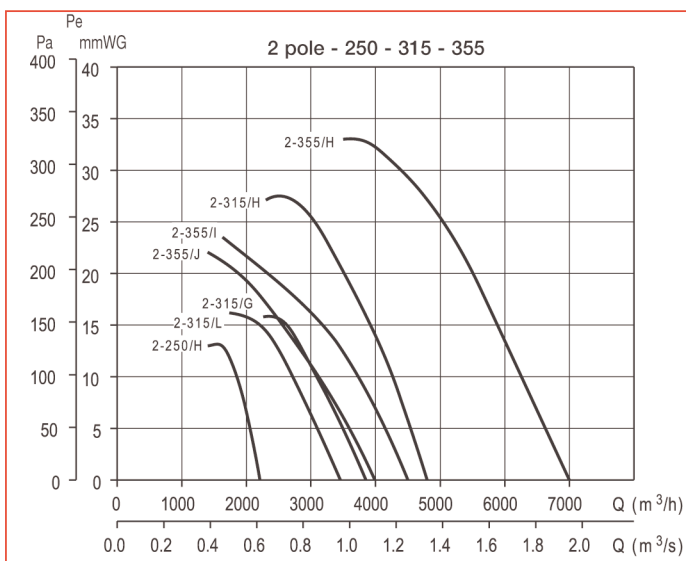
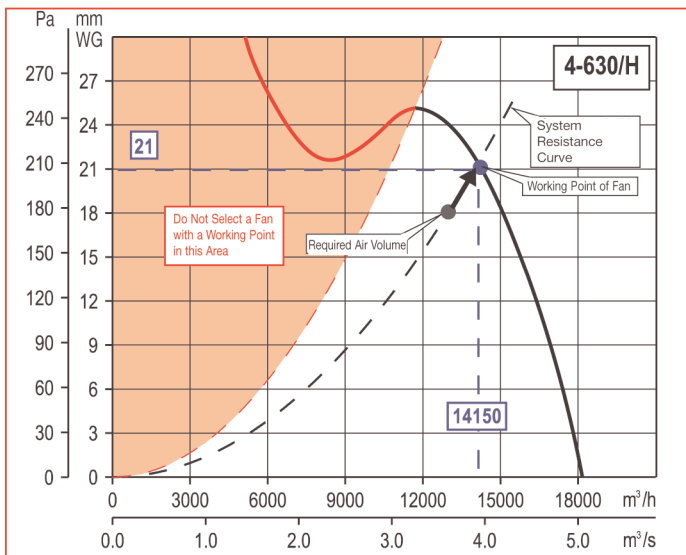
- Q = Air volume in, m³/hr and m³/s.
- Pe = Static pressure in mmWG and Pa.
- Dry air at 20°C and 760 mmHg.
- Air flow data in accordance with the following standards: UNE 100-212-89, BS 848, Part 1; AMCA 210-85 and ASHRAE 51-1985.

Performance curve characteristics for the Compact cased axial fans with plastic impellers (TCFB/T) correspond with the curves illustrated for the Compact Plate Axial fans (pages 65 to 67).

Typical fan selection:

Do not select the working point in the coloured area. To find the working point it is first necessary to plot the system resistance curve. The working point lies at the intersection between that curve and the fan performance curve.

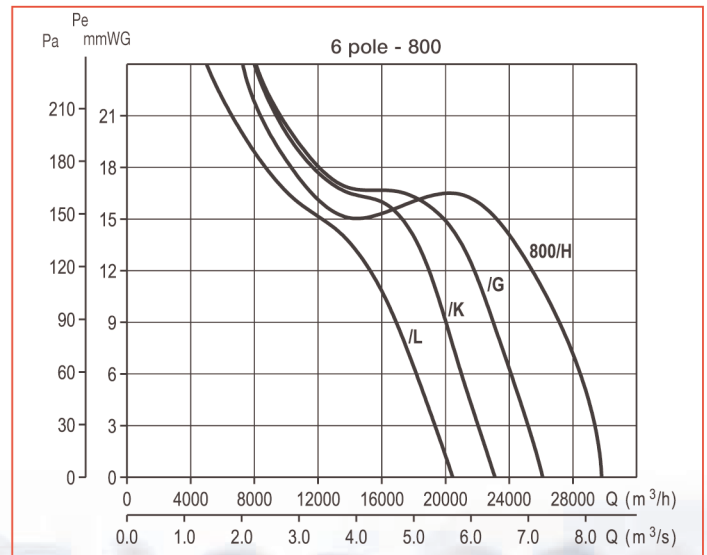
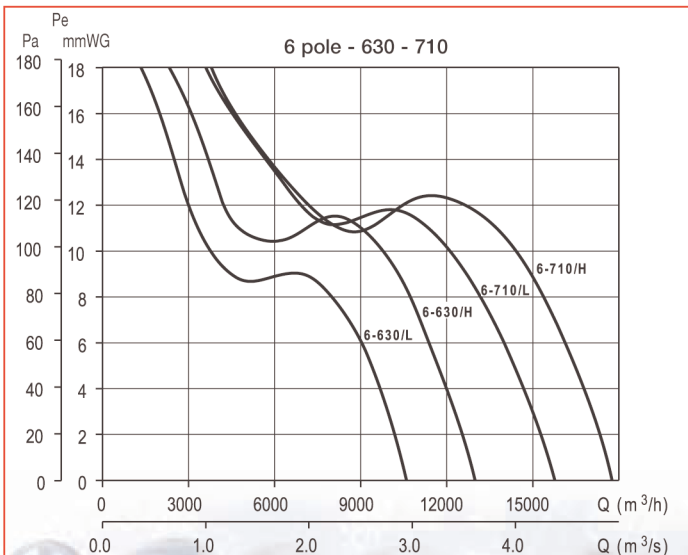
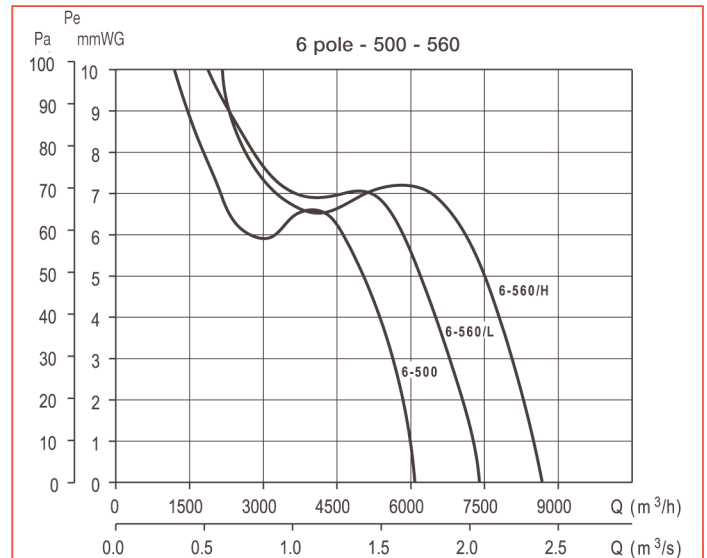
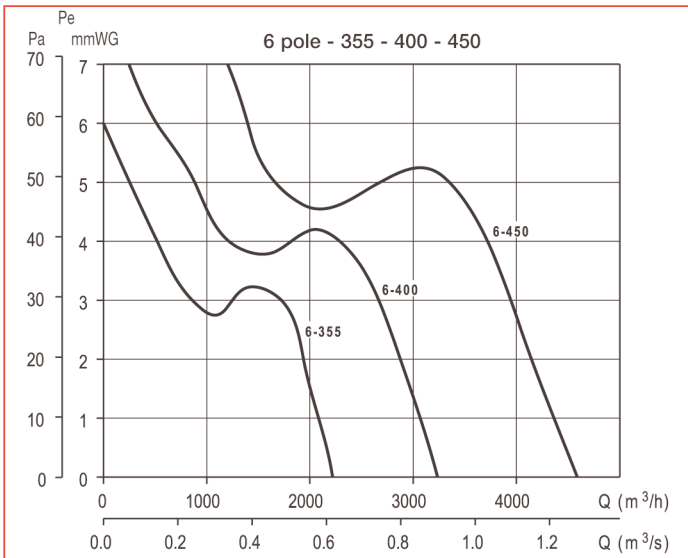
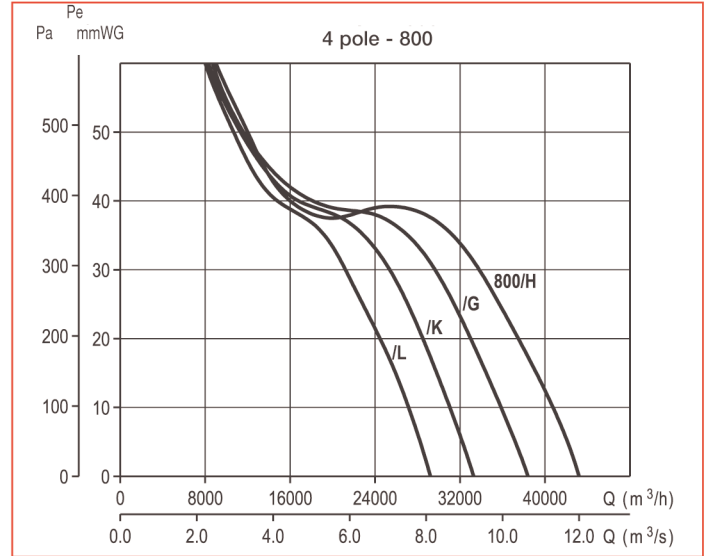
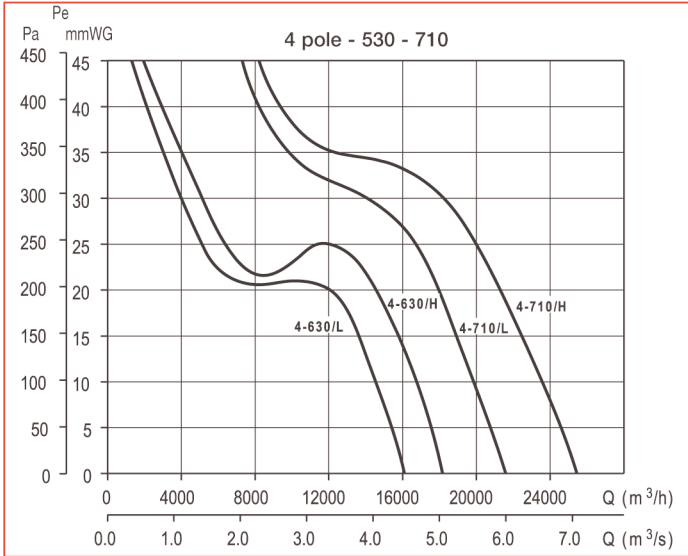
Example: Required air volume 13.100 m³/h at 18 mmWG
Fan working point 14.150 m³/h at 21 mmWG



■ Performance curves - Series TCBB/TCBT

- Q = Air volume in, m³/hr and m³/s.
- Pe = Static pressure in mmWG and Pa.
- Dry air at 20°C and 760 mmHg.
- Air flow data in accordance with the following standards: UNE 100-212-89, BS 848, Part 1; AMCA 210-85 and ASHRAE 51-1985.

Cylindrical Cased Flow Fans TCBB/TCBT – TCFB/TCFT



DELTA ENVIRONMENTAL Ltd

■ Performance curves - Series TCBB/TCBT

- Q = Air volume in, m³/hr and m³/s.
- Pe = Static pressure in mmWG and Pa.
- Dry air at 20°C and 760 mmHg.
- Air flow data in accordance with the following standards: UNE 100-212-89, BS 848, Part 1; AMCA 210-85 and ASHRAE 51-1985.

Cylindrical Cased Flow Fans TCBB/TCBT – TCFB/TCFT

DELTA ENVIRONMENTAL Ltd

